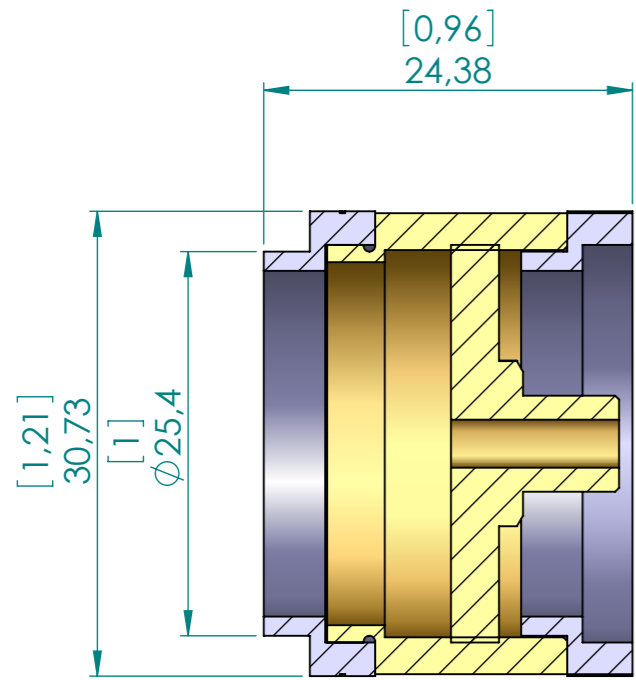
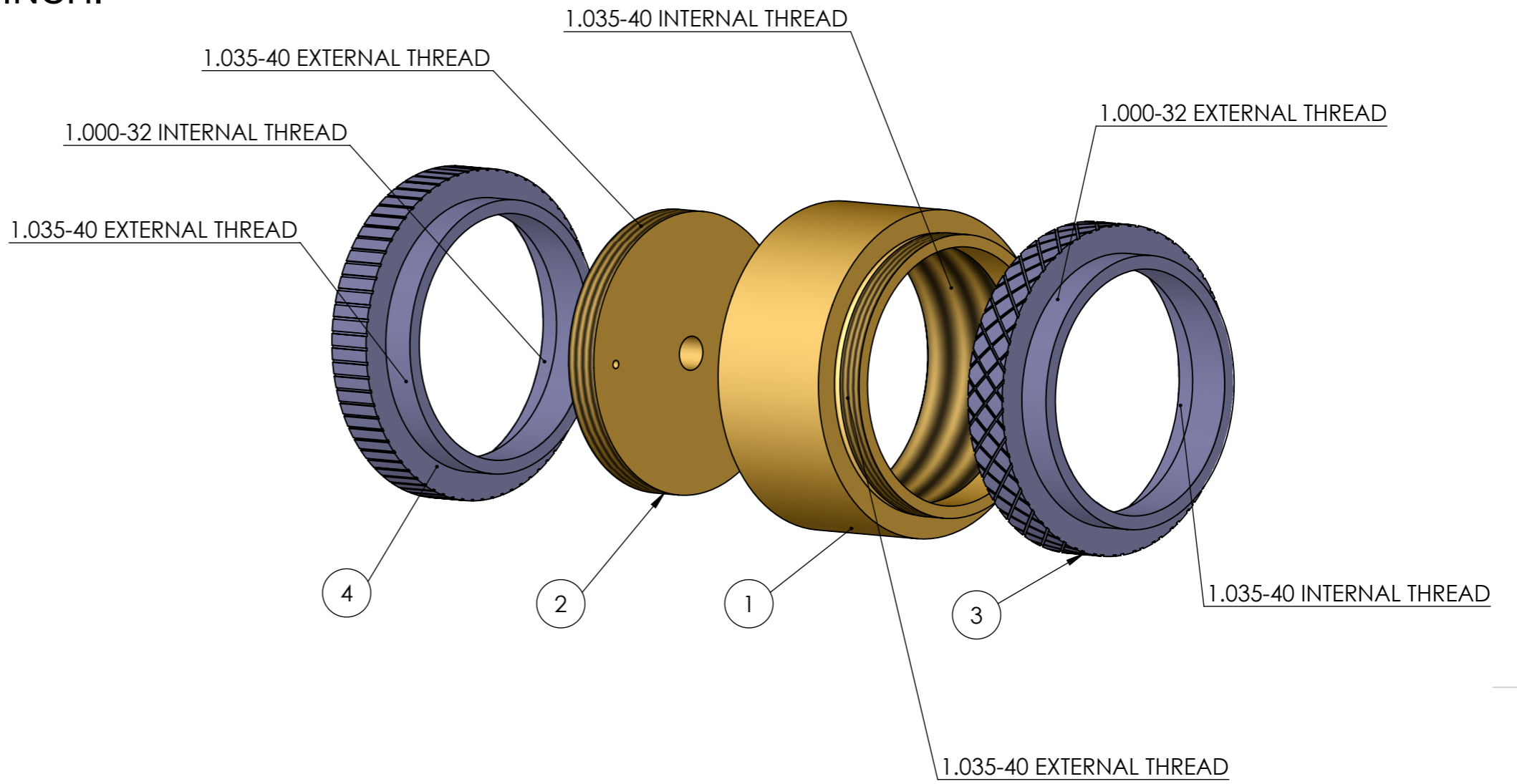
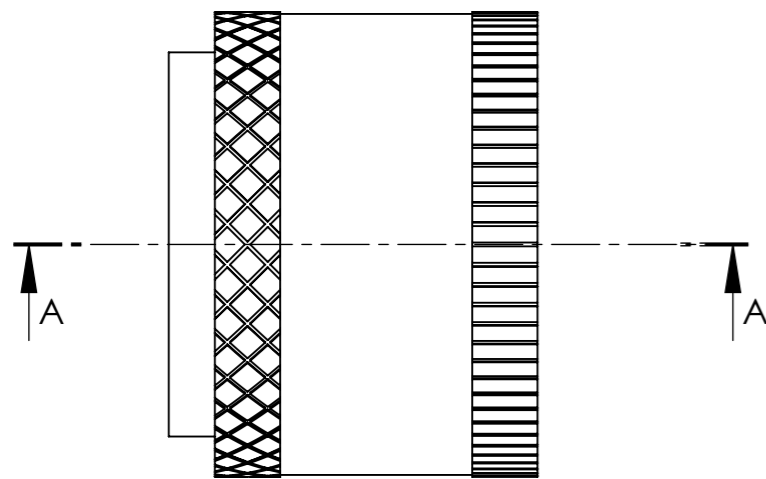


Dimensions in [squared bracket] are INCH.



A-A



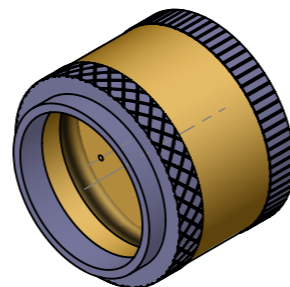
weight: xx gr / x,x oz.

Ra 6,3 / (Ra 3,2 /)

C-MOUNT-MIC:
SMA C-mount adapter for microscopes and telescopes

This adapter allows SMA 905-terminated optical fibers to be connected seamlessly to the C-mount port of a microscope or telescope so that light can be routed to a spectrometer for full spectral analysis. The lens mount is for 1" optic with usable depth of 0.5.

M 1:1



Ocean Optics EMEA Germany GmbH Maybachstraße 11 D-73760 Ostfildern Tel.: 0711-341696-0				Allgemein- toleranzen DIN 7168 -		Verwendung:	
Rev.	Änderung	Name	Datum	Revision	Name	Datum	Beschreibung (Benennung):
01	Neuanlage				Gep.		
02					QS.		
03							
04					FIRST ANGLE PROJECTION		
05					Oberfläche:		Dateiname / ERP-Nr.
06							ASM C-MOUNT-MIC
07					Werkstoff:		
08							Weight:
						Maßstab: 2:1	
						Blatt 1 von 1	
						A3	